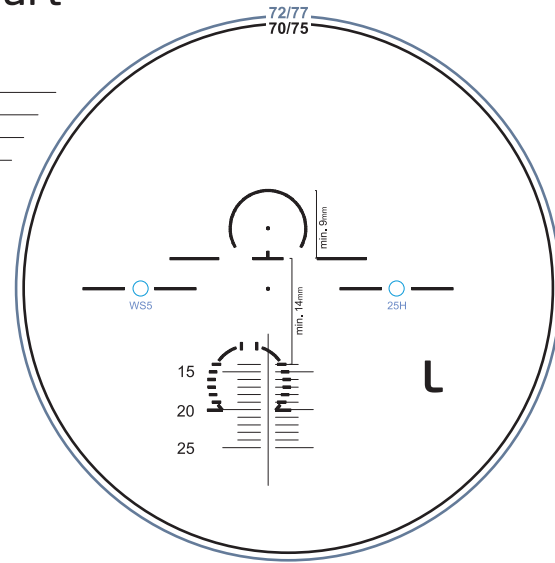
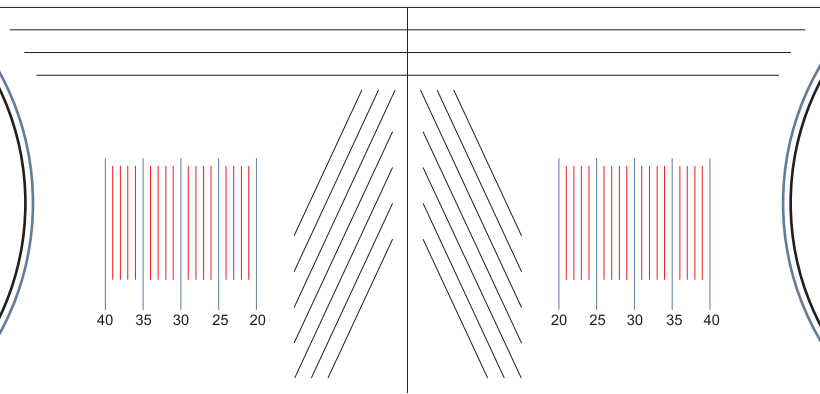
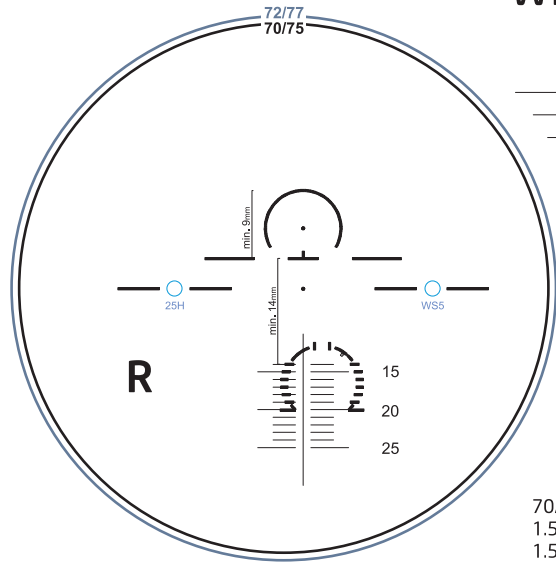


WIDEVIEW SIGNATURE Centration Chart



70/75
 1.5 CR39 Clear
 1.5 Polarized
 1.67 Clear
 1.67 Transitions

72/77
 1.5 Transitions
 1.6 MR8 Clear
 1.6 MR8 Transitions
 Polycarbonate Clear
 Polycarbonate Transitions

H = 1.5
 F = 1.6
 M = 1.67
 P = Polycarbonate
 WS = Corridor Length
 WS3 = 13mm to WS9 = 19mm